

Features

- EZ-Connect: Connects to existing shower plumbing
- Elegant & Durable stainless steel frame construction
- 4 stage shower function (Rainfall, Waterfall, Horizontal Massage Jets, Hand Shower)
- 2 ABS square message body jets with adjustable angle

Thank you for purchasing Luxier products. Please read the information below and keep this installation guide for future reference. If you require assistance, please contact our customer service department at 1-877-711-8828, Monday - Friday 9AM - 5PM Pacific Time. Or by email at support@luxierusa.com.

Limited Two (2) Year Warranty (For USA Only)

The manufacturer warrants this product to be free of manufacture defects during daily normal household use for as long as it is owned by the original purchaser of this product. Please keep a copy of the original invoice as proof of purchase.

Should a malfunction occur within the warranty period, Luxier USA will, as its option, (1) repair or replace the defective part(s) or product(s) at no charge; (2) issue a refund of the original purchase price of the product(s) (Valid within 30 days from the date of purchase); or (3) issue a credit to be applied toward the purchase of a new Luxier product. Shipping/delivery charges may apply and are in Luxier USA's sole discretion.

This limited warranty shall not apply to goods which have been subject to accident, negligence, improper installation, product abuse, product misuse, or use of cleaners containing abrasives, alcohol or other organic solvents, whether performed by a contractor, service company, or yourself, are excluded from this warranty.

Our responsibility under this limited warranty is limited to only to replacement parts and no other costs. Luxier USA will not be responsible for labor charges and/or damage incurred by installation, repair or replacement, nor for any indirect incidental or consequential damages, losses, injury or costs of any nature relating to this product. Except as provided by law, this limited warranty is in lieu of and excludes all other warranties, conditions, and guarantees, whether expressed or implied, statutory or otherwise, including without restriction those merchantability of fitness for use.

This limited warranty is non-transferable. This limited warranty only applies to products purchased and installed in the United States. This limited warranty covers the original consumer purchase only and does not include business, commercial or industrial use of this product. To obtain service under the Limited Warranty, please contact Luxier USA at support@luxierusa.com. The Luxier USA Customer Care Department will determine whether to repair or replace your product, issue a refund, or issue a credit.

Attention

- This installation guide is subject to change without notice, please contact us to request the most updated version of this installation guide.
- This is a general installation guideline, actual installation may vary. Consult a professional if necessary.
- Product drawings in this installation guide is for illustration purpose only. Actual product may vary depends on model.
- Always take extra precautions and wear appropriate safety equipment when installing this product.
- Proper water pressure needs to be maintained to prevent possible scalding.
- Stainless steel shower panels are handmade and assembled. Product dimensions may vary slightly, always measure the actual product before installation.

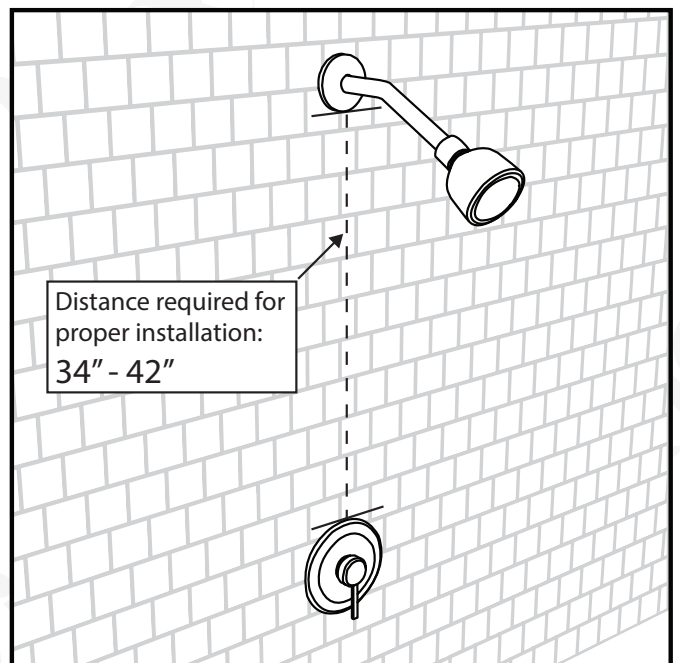
You may also need the following tools

1. Thread Sealant Tape, (PTFE Tape)	5. Pencil or Marker
2. Silicon Sealant	6. Level
3. Phillips Screw Driver	7. Hammer
4. Drill with 1/4" Drill bit	

Before You Begin

- Read and understand this instructions completely before installation.
- Please follow all local building and plumbing codes.
- Unpack and inspect the shower panel from the package for shipping damage and make sure all parts are included with the shower panel.
- Keep the product in its package until you are ready to install.
- Read and understand this installation guide completely.
- Make sure the installation site is clean and free of dust and debris.
- Please make sure the water supply is shut off to the installation area. If necessary, shut off the water to the entire house.
- Turn on the water at a bathroom faucet in the house to relieve the pressure in the plumbing system.

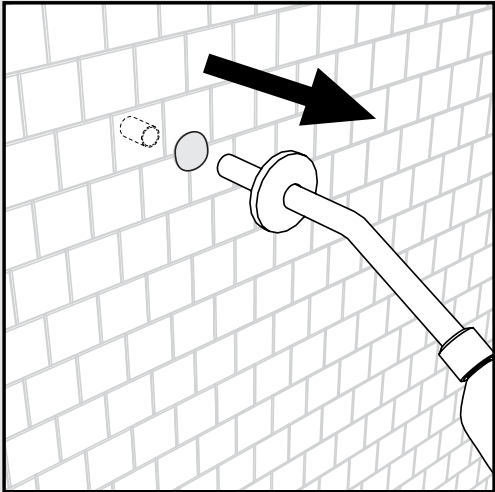
Before installation begins, measure the distance between the existing shower head and the control to make sure there is sufficient space to fit the shower panel. The distance needs to be 34" - 42" to fit the shower panel.



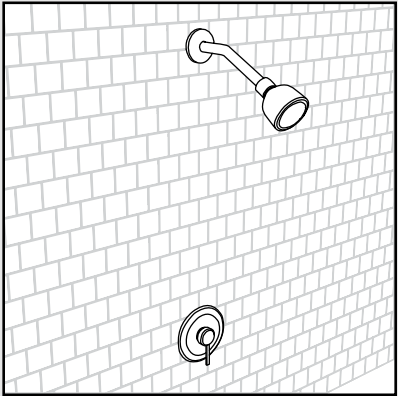
EZ Connect Diagram

EZ Connect let's you quickly install the shower panel to the existing shower plumbing with ease.

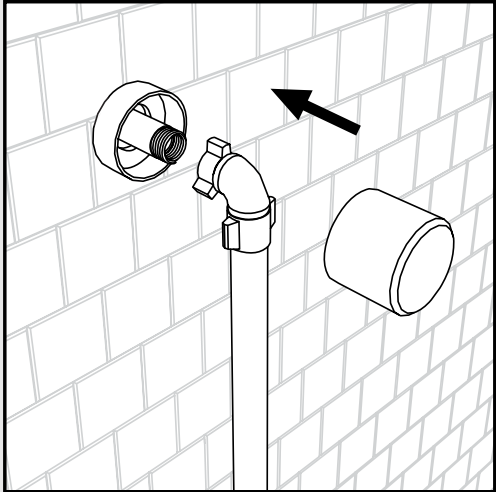
1. Remove existing shower head assembly



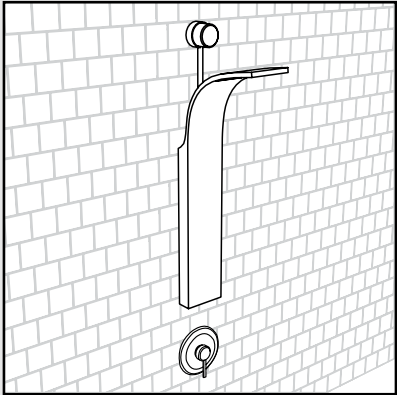
BEFORE



2. Connect shower panel water supply hose to the existing plumbing



AFTER

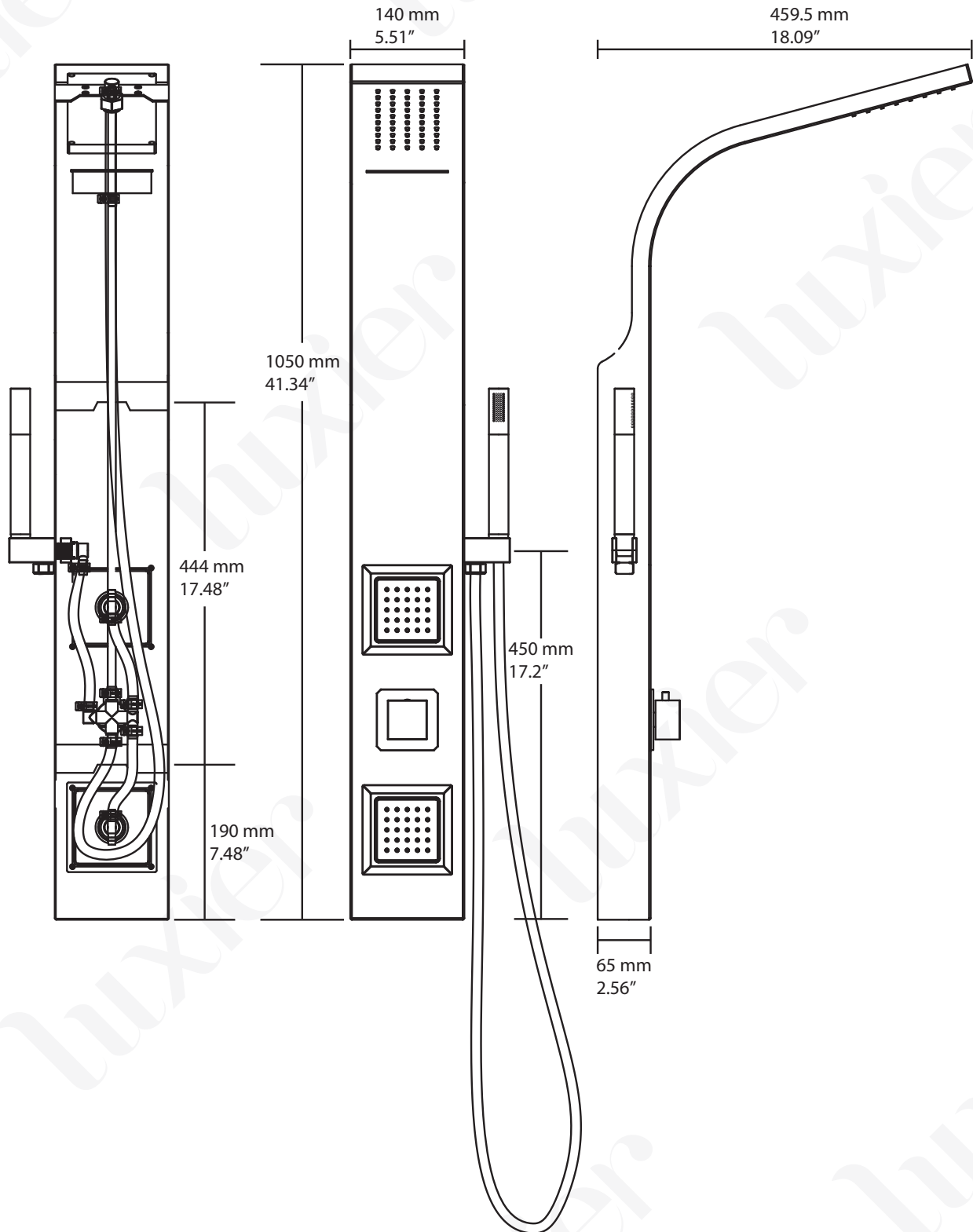


Technical Data

Recommended Operating Pressure: 60 - 80 psi

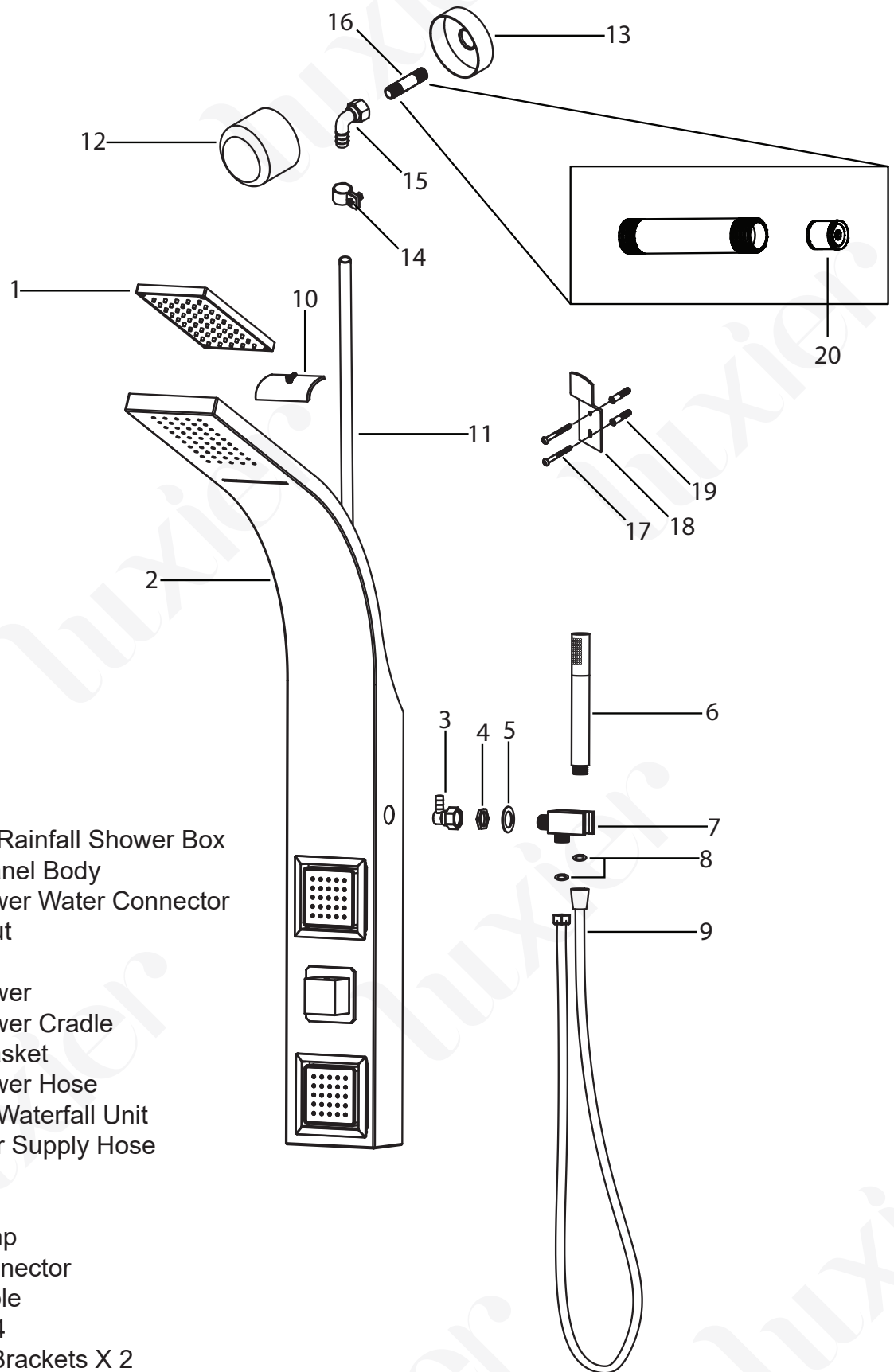
Flow Rate: 1.8 gpm at 80 psi

NOTE: This product is equipped with a water saving device with restricted flow rate as required by the state of California. To learn more about this water saving feature, please contact our customer service department.



* Drawings not to scale. All measurements are approximate *

Parts List



- 01. Overhead Rainfall Shower Box
- 02. Shower Panel Body
- 03. Hand Shower Water Connector
- 04. Locking Nut
- 05. Gasket
- 06. Hand Shower
- 07. Hand Shower Cradle
- 08. Rubber Gasket
- 09. Hand Shower Hose
- 10. Overhead Waterfall Unit
- 11. Main Water Supply Hose
- 12. Cover
- 13. Base
- 14. Hose Clamp
- 15. Elbow Connector
- 16. Brass Nipple
- 17. Screws X 4
- 18. Mounting Brackets X 2
- 19. Wall Anchors X 4
- 20. Check Valve

Installation

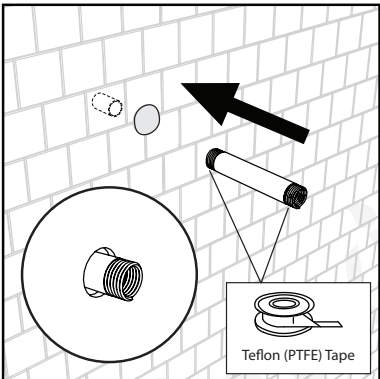
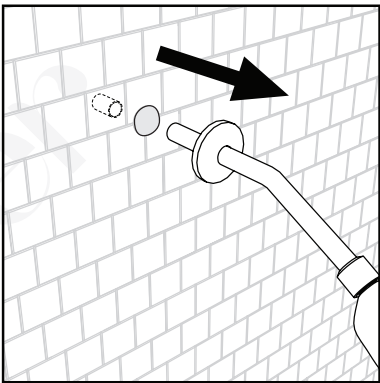
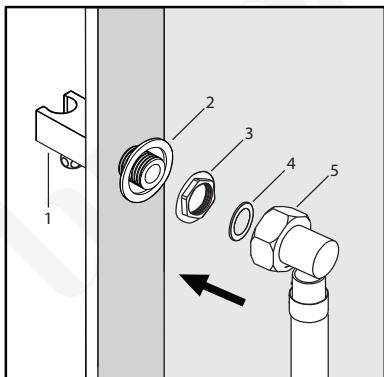
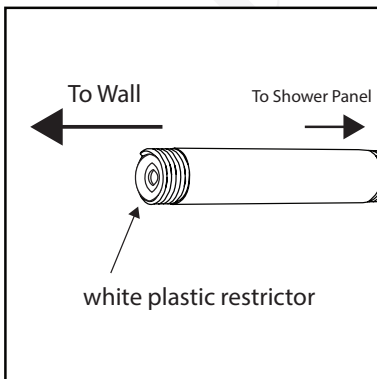


Figure A



1. Remove existing shower head and shower arm.

2. Connect the 3" brass nipple to the water pipe inside the wall. Leaving about 1" of the connector outside the wall.

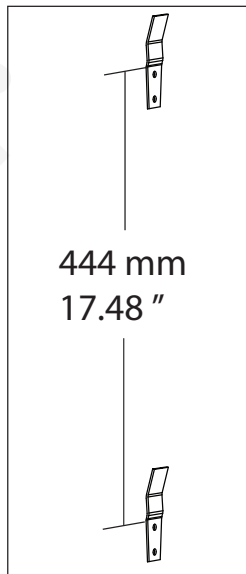
(NOTE: Apply PTFE tape on both end of the connector.)

(IMPORTANT: Insert the brass nipple with flow restricting device end first into the wall. Failure to follow this step will result in no water flow to the shower panel. See figure A)

3. Install hand shower cradle (1) to the shower panel by installing the rubber washer (2) and the locking nut (3) and attach white plastic hose tube connector (5) with PVC tubing to complete the connection.

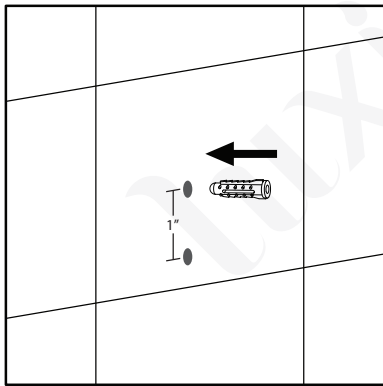
(NOTE: Make sure the silicon gasket (4) is seated properly inside the connector.)

Installation (cont.)



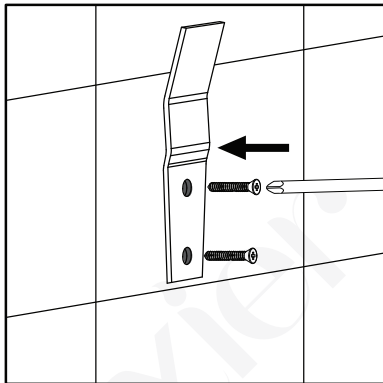
4. Lift the panel to determine the proper height and placement. It is recommended to aim the top horizontal body jet to the chest area for optimal showering experience. Mark the positions of the 2 brackets on the wall and set a side the panel.

(NOTE: The distance between the two brackets should be 444 mm or 17.48")

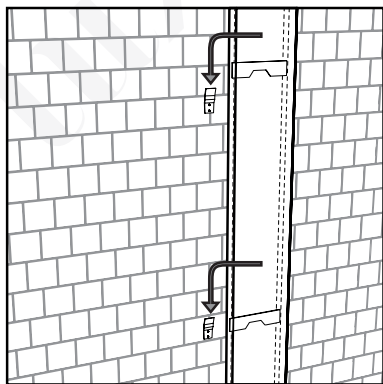


5. Using a drill with a tile bit, drill the hole slowly into the tile. Do not drill into any piping or wiring in the wall. Insert the anchors into the wall.

(NOTE: Before drilling the tiles, use a small piece of painters tape or masking tape over the drill area. This will prevent damages to the tiles)

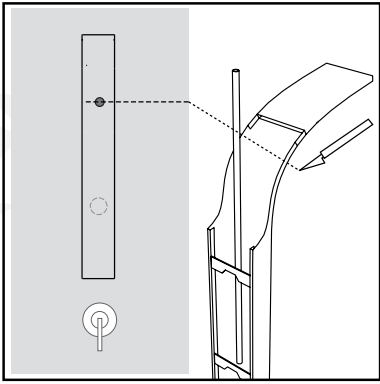


6. Secure the mounting brackets to the wall.

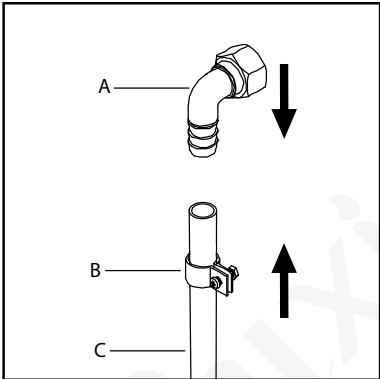


7. Hang the unit on the wall to complete the installation. Due to the limited space behind the shower panel, do not bend the hoses. Any restrictions in the water supply hoses will greatly reduce the performance of the shower panel.

Installation (cont.)

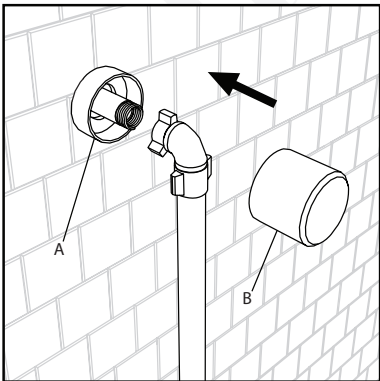


8. Measure the length needed for the main water supply hoses. Trim off the excess PVC tubing.



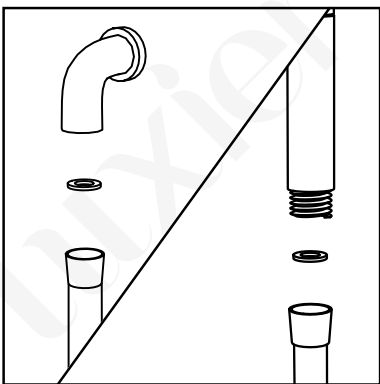
9. After the excess hose has been trimmed. First slip hose clamp (B) onto the PVC hose (C). Insert the elbow connector (A) into the hose. Push the hose (B) up toward the end of the hose. Tighten the hose clamp (B)

(NOTE: Do not over tighten the clamp)



10. Wipe the surrounding surface around the pipe free of dirt and debris. Peel off the adhesive backing of the cover base (A) and press it firmly against the wall to ensure a tight bond. Apply some PTFE tape on the pipe threading. Connect the main water supply hose assembly to the pipe.

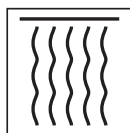
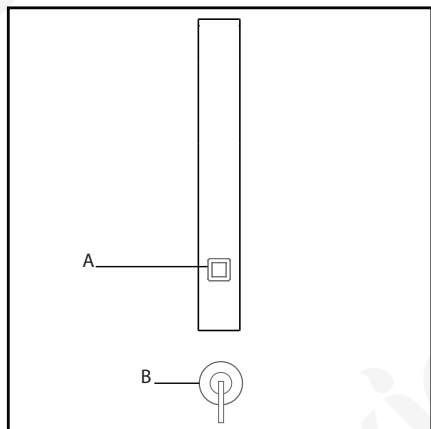
(NOTE: Do not over tighten the nut as it may damage the seal and causes leaks) Once the connection is made, install the cover over the elbow connector.



11. Connect hand shower hose to the main panel body and connect the hand shower wand to the hose. Make sure the silicon gaskets are seated properly to prevent water leak. Run water to the unit for few minutes and check for leaks at all connections.

Operation

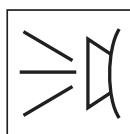
1. To use your new Decor Star shower panel, first turn on the water supply at the existing valve (B) and divert the water to the shower panel.
2. Use the control knob (A) to select the desired shower function.
3. This product is equipped with a water saving device with restricted flow rate as required by the state of California. To learn more about this water saving feature, please contact our customer service department.



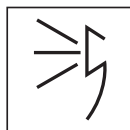
Overhead Waterfall



Overhead Jets



Horizontal Body Jets



Handheld Shower

Maintenance Guide

Please follow the cleaning material manufacturer's instructions. In addition, pay attention to the following points:

1. Regular cleaning can prevent mineral build up on shower head and handheld shower.
2. Use a mild detergent such as liquid dishwashing soap and warm water for cleaning.
3. Do not use abrasive / harsh chemical when cleaning the fixture as they will damage and dull the finish.
4. Carefully read the cleaner product label to ensure the cleaner is safe for use on the material.
5. Test the cleaner on a small area before using on the entire surface.
6. Do not leave the cleaner on the fixture longer than necessary.
7. When using spray cleaners, spray first onto a soft cloth or sponge. Never spray directly onto the faucet as droplets can enter openings and gaps and cause damage.
8. After cleaning, rinse thoroughly with clean water to remove any cleaner residue.
9. Wipe dry with soft cloth to keep shower panel surface spot free.